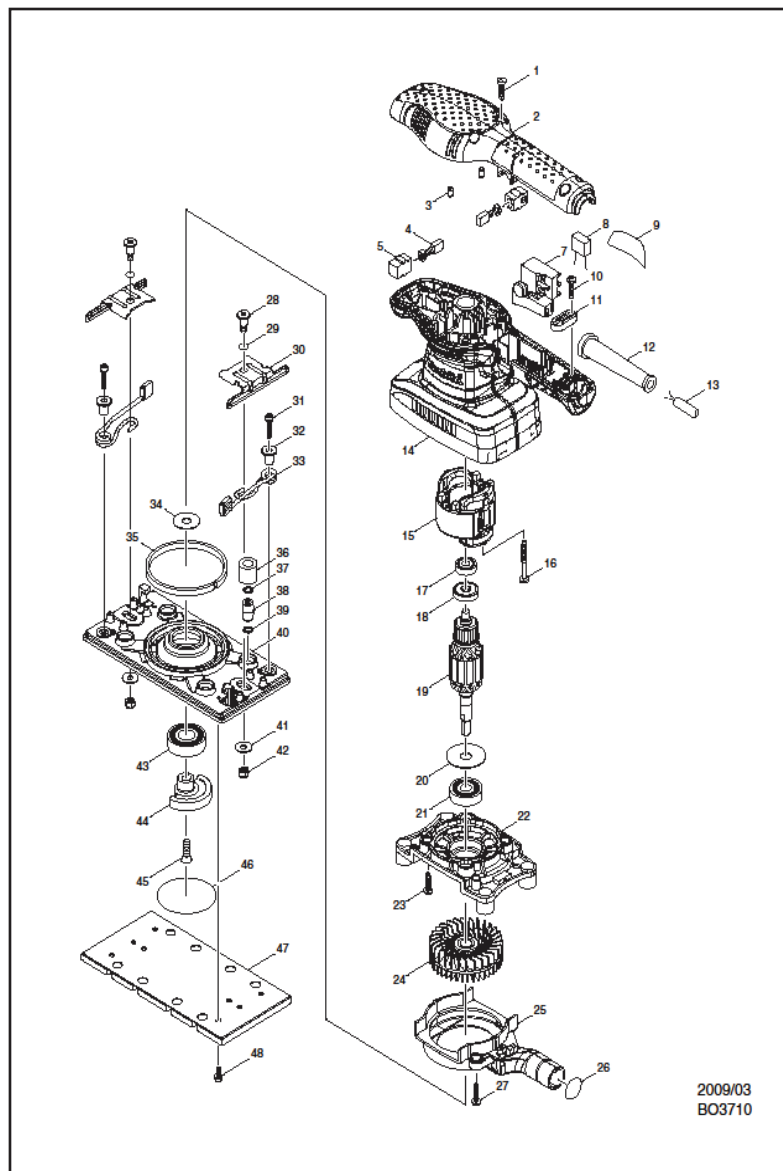


BO3710



2009/03
BO3710

REF.	CODE	DESCRIPTION	UNIT	LIST
1	265995-6	TAPPING SCREW 4X18		PC
2	451268-5	TOP COVER		PC
3	263002-9	RUBBER PIN 4	PC	
4	191627-8	CARBON BRUSH CB-64		PC
5	643552-4	BRUSH HOLDER 5-8	PC	
7	651286-5	SWITCH SGEL206C-5PC		
8	645239-4	NOISE SUPPRESSOR	PC	
9	866995-5	BO3710 NAME PLATE	PC	
10	265995-6	TAPPING SCREW 4X18		PC
11	687124-5	STRAIN RELIEF	PC	
12	682516-3	CORD GUARD 9.3-85	PC	
13	665905-7	POWER SUPPLY CORD 1.0-2-2.0	PC	
13	692516-5	POWER SUPPLY CORD 1.0-2-2.0	PC	
14	451270-8	MOTOR HOUSING	PC	
15	593703-8	FIELD ASSEMBLY 220-240V	PC	
15	599375-7	FIELD ASSEMBLY 115V	PC	
C10	654037-5	INSULATED TERM FK1.25-M3	PC	
16	266048-4	TAPPING SCREW 4X40		PC
17	210062-2	BALL BEARING 607ZZ		PC
18	681652-2	INSULATION WASHER		PC
19	515780-0	ARMATURE ASSY 100-115V		PC
19	515784-2	ARMATURE ASSY 240V	PC	
D10		INC. 17182021		
20	253180-3	FLAT WASHER 10	PC	
21	211087-9	BALL BEARING 6200DDW		PC
22	451266-9	BEARING BOX	PC	
23	265995-6	TAPPING SCREW 4X18		PC
24	240117-9	FAN 68	PC	
25	451267-7	FAN GUIDE		PC
26	213315-8	O RING 19	PC	
27	265995-6	TAPPING SCREW 4X18		PC
28	266511-7	FLAT HEAD SCREW M5		PC
29	213045-1	O RING 6	PC	
30	346102-1	PAPER CLAMP	PC	
31	911136-9	PAN HEAD SCREW M4X20		PC
32	310300-3	SPRING GUIDE	PC	
33	162279-2	LEVER COMPLETE	PC	
34	267353-2	FLAT WASHER 8	PC	
35	423389-3	SPONGE 6X230X3	PC	
36	424056-3	SPONGE SLEEVE 9	PC	
37	213983-7	O RING 4	PC	
38	318151-8	FOOT	PC	
39	213983-7	O RING 4	PC	
40	318484-1	BASE	PC	
40-1	318484-1	BASE	PC	
41	253807-5	FLAT WASHER 5	PC	
42	252103-8	HEX LOCK NUT M5-8	PC	
43	211228-7	BALL BEARING 6202DDW		PC
44	310301-1	BALANCER		PC
45	912222-9	COUNTERSUNK HD SCREW M5X1		PC
46	213656-2	O RING 53	PC	
47	140146-1	PAD COMPLETE	PC	
48	911111-5	PAN HEAD SCREW M4X10		PC
A01	140115-2	DUST BAG COMPLETE		PC
A02	451271-6	PUNCH PLATE	PC	
A03	794563-3	ABRASIVE PAPER	PC	
E01	655030-2	PLUG UK TYPE 16A-4H/110V		PC
E02	654091-9	NON INSULATED TERMINAL		PC